

## UHF Vehicle Reader

### Overview

VR12 is UHF vehicle reader, compatible with ISO 18000-6B/6C standard, the operating frequency is 902MHz ~ 928MHz, with compact appearance and outstanding read/write performance. The reader can be widely used in intelligent car park management and fee automation, warehouse logistics management, retail logistics centre management, enterprise transportation management and automated production line management.



  
Encryptable

### Specifications

|                  |  |
|------------------|--|
| System Parameter | ARM7+UHF                                     |
| Work Frequency   | 865~868MHz / 902~928MHz                      |
| Reading Distance | 12m  |
| Support Protocol | ISO18000-6B/6C (EPC GEN2)                    |
| RF Power         | 0-33dBm (Adjustable)                         |
| Antenna          | 8 dBi circular polarize antenna (Integrated) |
| Prompt           | Beep or LED light flash                      |

### Electrical

|                   |        |
|-------------------|--------|
| Working Voltage   | DC 12V |
| Power Consumption | < 12W  |

### Environment

|            |                                  |
|------------|----------------------------------|
| Operation  | - 20°C ~ +70°C(Customized)       |
| Humidity   | 20% ~ 95% (without condensation) |
| Storage    | - 40°C ~ +70°C                   |
| Waterproof | IP66                             |

### Hardware

|            |                 |
|------------|-----------------|
| Dimension  | L257xW257xH68mm |
| Net Weight | 2.4kg           |
| Weight     | 3.7kg           |



**API Software Development Kits  
Support VB, C Sharp**

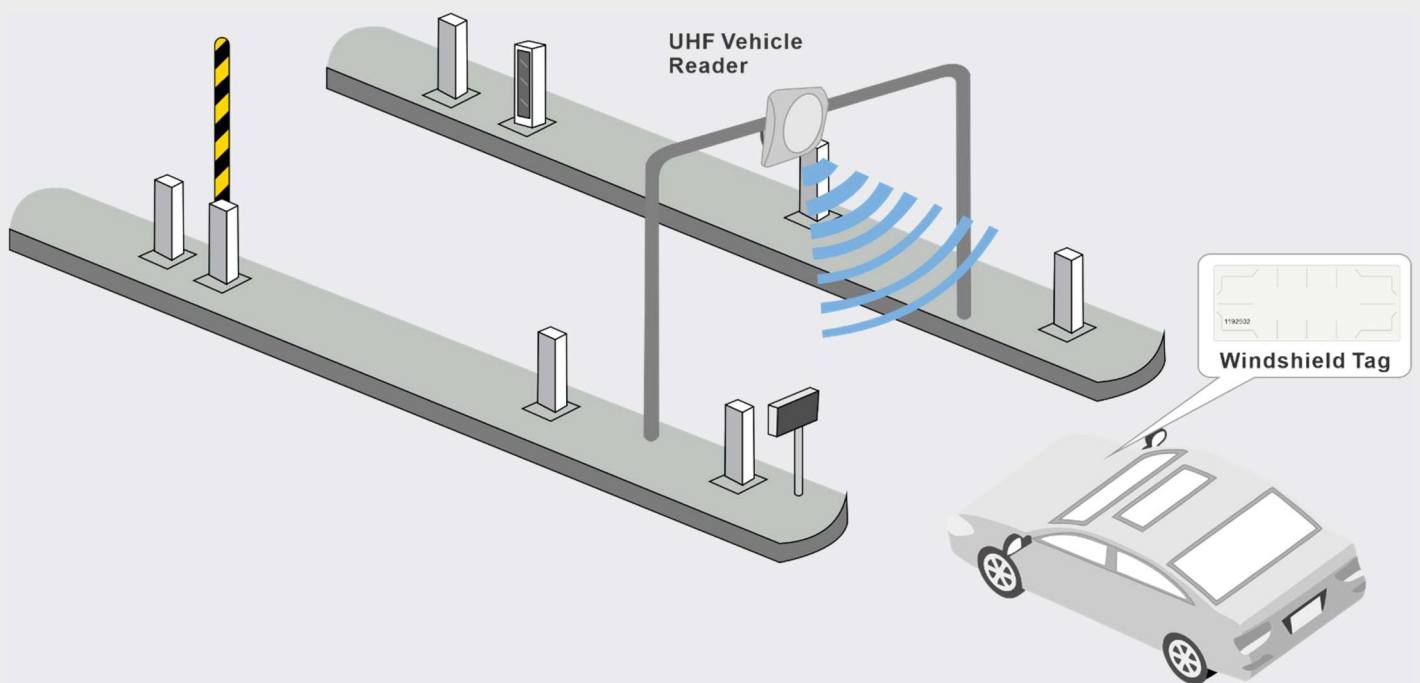
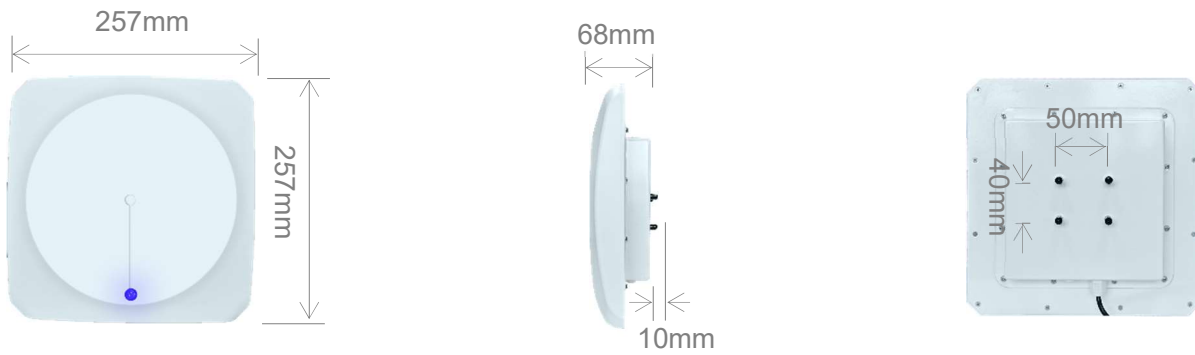
### Features

- ◆ Low power, stable and reliable read/write distance
- ◆ Data readout fastly
- ◆ Label Wake Up Recognition
- ◆ Multi-region, multi-label reading
- ◆ Multi-protocol compatible
- ◆ Waterproof

**Focus on Access Control**  
Since 2004



## Product Size



**Focus on Access Control**  
Since 2004

